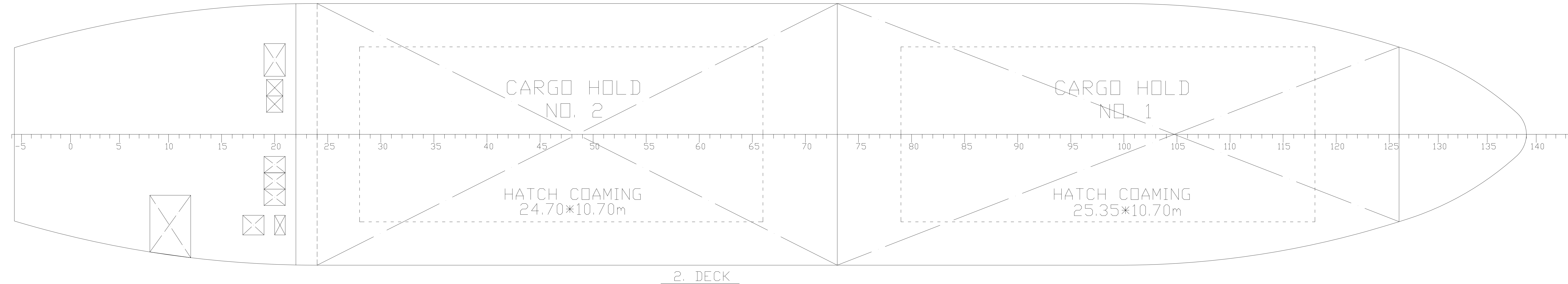
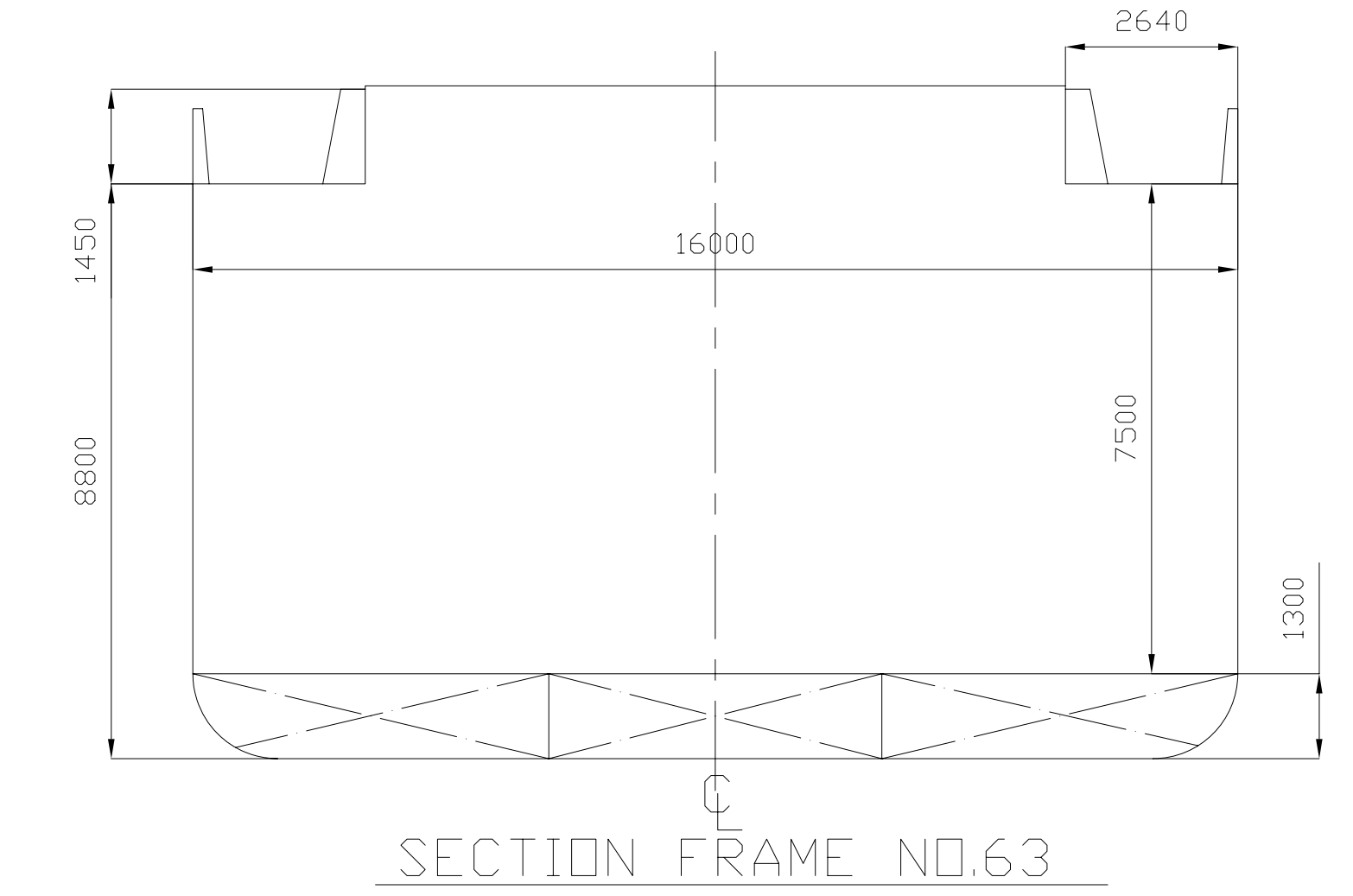
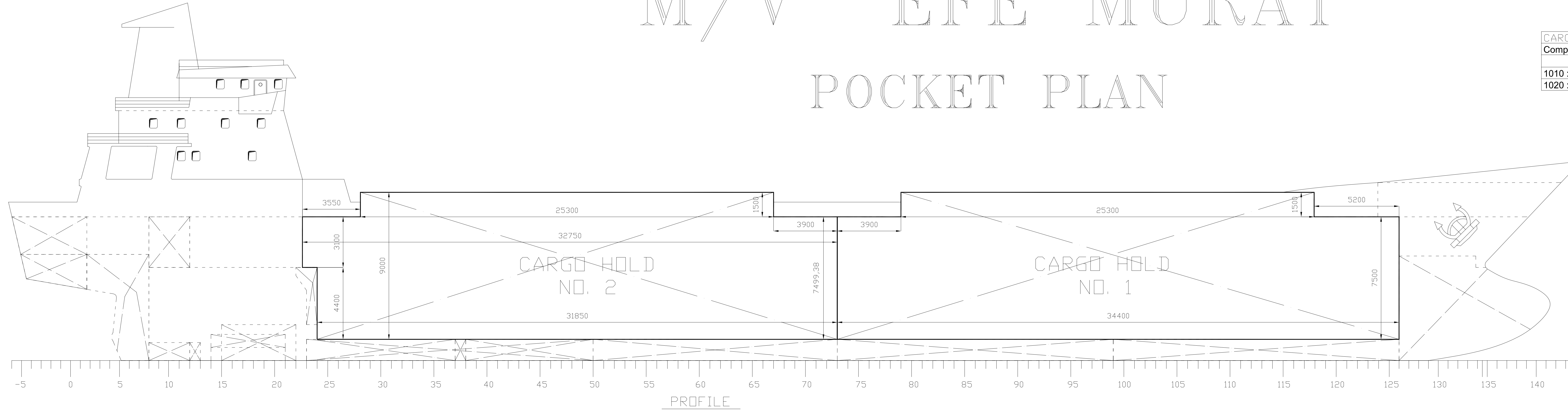


M/V "EFE MURAT"

POCKET PLAN

CARGO TANKS						
Compartment	Frames	Volume (m ³)	Weight (t)	LCG (m)	TCG (m)	VCG (m)
1010 : HOLD 1	73-126	3615.21	2458.34	62.029	0	5.872
1020 : HOLD 2	22-73	4145.43	2818.89	30.844	0	5.707



LENGTH OVERALL : 96.50m
 LENGTH BETWEEN PERENDICULARS : 87.05m
 BREADTH MOULDED : 16.00m
 DEPTH MOULDED 1st. DECK : 8.80m
 DEPTH MOULDED 2st. DECK : 5.80m
 DRAFT ON SUMMER FREEBOARD : 6.905m

NO	DEGISIKLIK	TARİH	İMZA
ÖZSAY GEMİ ENDÜSTRİSİ TİCARET A.Ş. www.ozsaygem.com.tr MUSTERİ/OWNER EFE MAY PROJE NO OLCEK/SCALE 1/100 EBAT/SIZE İSİM/TİTLE M/V "EFE MURAT" POCKET PLAN			
BARBAROS GEMİ İNŞAAT SAN. VE TİC. LTD. ŞTİ. www.barbarosgem.com.tr MUSTERİ/OWNER EFE MAY İSİM/TİTLE M/V "EFE MURAT" POCKET PLAN			
This document is the property of Barbaros Gem İnşaat San. Ve Tic. Ltd. Şti. and is loaned to you for your use only. It is not to be used for any other purpose without the permission of Barbaros Gem İnşaat San. Ve Tic. Ltd. Şti. In case of no order, this document and all contents are to be returned to Barbaros Gem İnşaat San. Ve Tic. Ltd. Şti. Istanbul or Trkiye Gem İnşaat San. Ve Tic. Ltd. Şti.			
ÇİZEN/DRAWN	İZLENEN/CHECKED	TARİH/DATE	İMZA
BAZILAN/DESIGNED	ONAY/APPROVED	TARİH/DATE	İMZA
RESMİ NO/RAW NO			REV